



ADCOM[®]

CD PLAYER

GCD-600

WARNING

To reduce the risk of fire or electric shock, do not expose this appliance to rain or moisture.

	CAUTION RISK OF ELECTRIC SHOCK DO NOT OPEN	
Caution: To reduce the risk of electric shock, do not remove cover (or back). No user serviceable parts inside. Refer servicing to qualified service personnel.		

EXPLANATION OF GRAPHIC SYMBOLS

The lightning flash with arrowhead symbol, within an equilateral triangle, is intended to alert the user to the presence of uninsulated "dangerous voltage" within the product's enclosure that may be of sufficient magnitude to constitute a risk of electric shock to persons.



The exclamation point within an equilateral triangle is intended to alert the user to the presence of important operating and maintenance (servicing) instructions in the literature accompanying the appliance.



TABLE OF CONTENTS

Introduction	1
Features	1
Unpacking	2
Installing the GCD-600	2
Rear Panel Connections	2
Front Panel Controls	4
Programming the GCD-600	6

NOTICE

This equipment generates and uses radio frequency energy and if not installed and used properly, that is, in strict accordance with the manufacturer's instructions, may cause interference to radio and television reception. It has been type tested and found to comply with the specifications in Subpart J of Part 15 of FCC Rules, which are designed to provide reasonable protection against such interference in a residential installation. However, there is no guarantee that interference will not occur in a particular installation. If this equipment does cause interference to radio or television reception, which can be determined by turning the equipment off and on, the user is encouraged to try to correct the interference by one or more of the following measures:

- reorient the receiving antenna
- relocate the CD player with respect to the receiver
- move the CD player away from the receiver
- plug the CD player into a different outlet so that the CD player and receiver are on different branch circuits.

If necessary, the user should consult the dealer or an experienced radio/television technician for additional suggestions. The user may find the following booklet prepared by the Federal Communications Commission helpful: "How to Identify and Resolve Radio - TV Interference Problems". This booklet is available from the US Government Printing Office, Washington, D.C., 20402, Stock No. 004-000-00345-4.

Caution — Use of controls or adjustments or performance of procedures other than those specified herein may result in hazardous radiation exposure.

Caution — To prevent electrical shock, do not use this polarized plug with an extension cord, receptacle, or other outlet unless the blades can be fully inserted to prevent blade exposure.

Attention — Pour prévenir les chocs électriques ne pas utiliser cette fiche polarisée avec un prolongateur, une prise de courant ou une autre sortie de courant, sauf si les lames peuvent être insérées à fond sans en laisser aucune partie à découvert.

Remote Control Transmitter RC-600CD	7
Caring for your GCD-600	9
Precautions	9
In Case of Difficulty	10
Servicing	11
Technical Specifications	12

INTRODUCTION

Please read the operating instructions for the GCD-600 thoroughly before connecting or attempting to operate the unit. For your own benefit, follow all the instructions in this manual and save it for future reference.

Your ADCOM GCD-600 features some of the most advanced thinking in compact disc player design. Its superior performance is the result of a combined effort to incorporate the latest engineering advancements while relying on critical performance and listening tests to verify their benefits. We sincerely hope that you will value and enjoy the attention we have given to its design and construction.

FEATURES

- Low output impedance (100 ohms) from both fixed and variable outputs allowing both to be used simultaneously
- Dual 16-bit digital-to-analog converters employing 176.4 kHz four-times oversampling filters
- User selectable absolute polarity switch
- Front loading carousel-type changer with play/exchange capability which can hold five discs and allow the user to change four of them while one is playing
- Direct access allows carousel to rotate clockwise or counterclockwise, speeding search time between discs
- Low noise, linear gain semiconductors used in the audio stage
- Direct digital output
- Plays 3-inch discs without an adaptor
- Audible fast-forward and reverse scans
- Programs up to 20 tracks in any sequence from one or all discs loaded
- Repeats individual track, individual disc, or all discs
- Random play capability of all discs
- Full featured 34 key remote control
- Dual power transformers

IMPORTANT NOTICE

ADCOM PROTECTION PLAN (U.S.A. ONLY)

ADCOM offers the enclosed valuable Limited Warranty. Please read the details on the Warranty Card carefully to understand the extent of the protection offered by the Warranty, its reasonable limitations, and what you should do in order to obtain its benefits.

Be sure to verify that the serial number printed on the rear panel matches the serial number on the carton. If any number is altered, missing, or if the ADCOM Warranty Card is not included in the carton, you should notify ADCOM immediately in order to insure that you have received a genuine ADCOM product which has not been opened or tampered with in any way.

UNPACKING

Before each GCD-600 left the factory, it was carefully inspected for physical imperfections as a routine part of ADCOM's systematic quality control program. This, along with full operational and mechanical testing, should insure a product flawless in both appearance and performance. After you have unpacked the GCD-600, inspect it for physical damage. Save the shipping carton and all packing materials as they are intended to reduce the possibility of transportation damage should the product ever need to be shipped again. In the unlikely event damage has occurred, notify your dealer immediately and request the name of the carrier so a written claim to cover shipping damage can be initiated.

THE RIGHT TO ANY CLAIM AGAINST A PUBLIC CARRIER CAN BE FORFEITED IF THE CARRIER IS NOT NOTIFIED PROMPTLY IN WRITING AND IF THE SHIPPING CARTON AND PACKING MATERIALS ARE NOT AVAILABLE FOR INSPECTION. SAVE ALL PACKING MATERIALS UNTIL THE CLAIM HAS BEEN SETTLED.

INSTALLING THE GCD-600

Although the GCD-600 does not generate much heat, you will insure its long-term trouble-free operation if you keep it away from external sources of heat such as radiators or heat registers, and provide reasonable ventilation. The GCD-600 should never be placed with other heat-producing components in a cabinet or enclosure that lacks proper ventilation.

When placing the GCD-600 with other stereo equipment, do not stack more than 30 pounds of additional equipment on top of it as damage to the player may occur.

For use in professional installations, the GCD-600 may be mounted in a standard 19-inch rack using the optional RM-4 rack mount adaptors available through ADCOM dealers.

NOTE

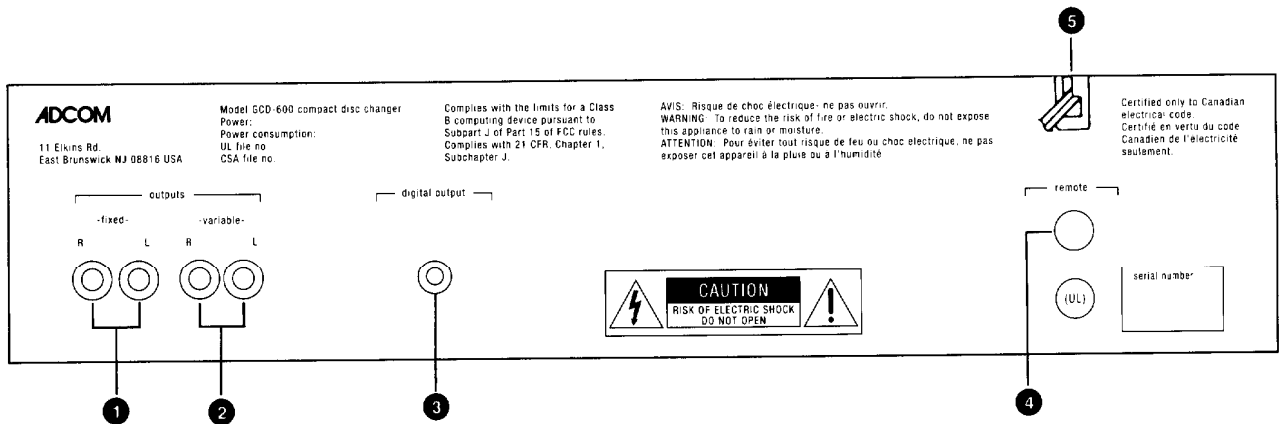
WHEN PLACING THE UNIT ON A SHELF OR IN A RACK INSURE THERE IS ENOUGH ROOM FOR THE DRAWER TO OPEN FULLY. YOU WILL NEED TO HAVE AT LEAST 9 INCHES OF SPACE IN FRONT OF THE CHANGER TO INSURE PROPER CLEARANCE.

REAR PANEL CONNECTIONS

The performance of the GCD-600 depends on the quality of the interconnection cables used for the player itself and its associated equipment. All the output signal connections should be made using only high quality, low-loss audio cables, such as the one supplied with the GCD-600. The Fixed, Variable, and Digital outputs are all clearly labeled on the back panel, as well as their respective LEFT and RIGHT channels where applicable.

NOTE

WHENEVER CONNECTIONS TO OR FROM THE GCD-600 ARE BEING MADE, BE SURE THAT THE GCD-600 AND ALL ASSOCIATED COMPONENTS ARE TURNED OFF.



Rear Panel Diagram

FIXED OUTPUT ①

The decoded audio signal is available at this output at a level compatible with most preamplifiers, tuner/preamps, and receivers. Simply connect one end of the supplied audio cable to the FIXED OUTPUT terminal of the GCD-600, left (L) and right (R), and the other end to the CD, AUX, or TAPE IN/PLAY input terminals, left (L) and right (R) of the preamplifier or receiver.

VARIABLE OUTPUT ②

The decoded audio signal is also available at this output, however, the level can be adjusted using the VOLUME control buttons ③③ on the RC-600CD remote control. The VARIABLE output will be most useful when using the CD player to drive an amplifier directly. It can also be used to drive a second system simultaneously. Furthermore, it is helpful when you want the CD playback level to match those of other sources such as a tuner or cassette deck which may be considerably different. This can be accomplished by monitoring the different sources and making the necessary volume adjustments using the RC-600CD Remote Control.

NOTE

WHEN THE PLAYER IS TURNED ON FOR THE FIRST TIME, OR IF THE PLAYER IS UNPLUGGED, THE VARIABLE OUTPUT WILL AUTOMATICALLY BE SET AT ITS MINIMUM LEVEL.

To use this output, connect one end of the supplied audio cable to the VARIABLE output terminal of the GCD-600, left (L) and right (R), and the other end to the CD, AUX, or TAPE IN/PLAY input terminals, left (L) and right (R) of the preamplifier, receiver, or amplifier.

PLEASE NOTE THAT THE VOLUME CONTROL ③③ ON THE REMOTE CONTROL WILL HAVE NO EFFECT ON THE FIXED OUTPUT ①.

DIGITAL OUTPUT ③

The digital output from the CD being played is available at this output. This signal is not affected by the volume control and is designed to be used with an external digital-to-analog converter or other component with the necessary digital conversion circuits built in.

REMOTE ④

This DIN jack connection is for use with other ADCOM remote controlled components such as the GFB-800 Music Control Center and the GTP-500II Tuner/Preamplifier. It allows the GCD-600 to be controlled using the remote control transmitter of the main ADCOM Remote Preamplifier by use of a special cable. Please consult your ADCOM dealer for more information.

AC POWER CORD ⑤

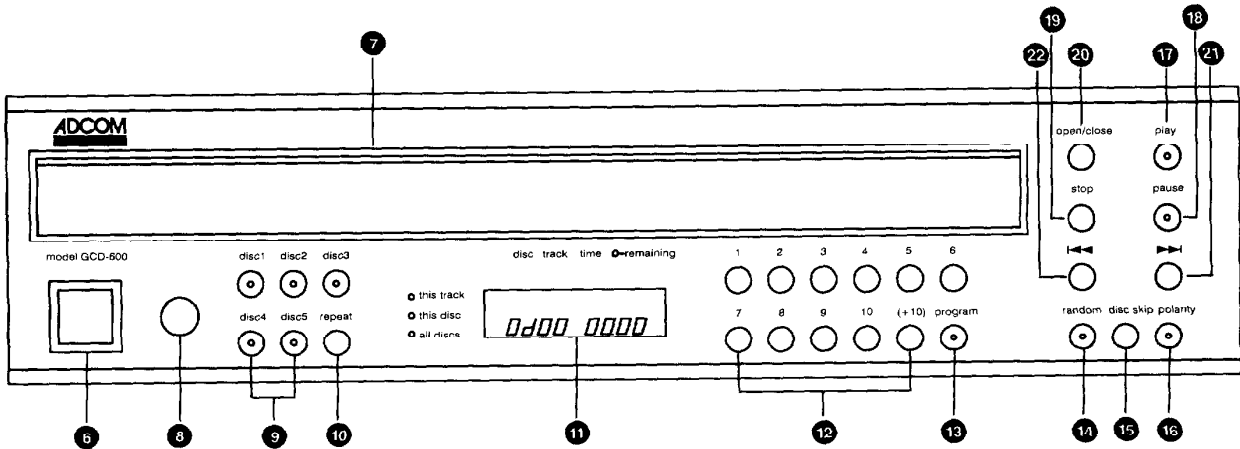
This polarized AC line cord can be connected to the preamplifier's or receiver's auxiliary AC outlet (switched or unswitched) or directly into a standard wall outlet.

NOTE

IF PLUGGED INTO A SWITCHED OUTLET WITH ONE OR MORE DISCS LOADED, THE GCD-600 WILL AUTOMATICALLY START PLAYING A DISC WHEN POWER TO THE SWITCHED OUTLET IS TURNED ON.

FRONT PANEL CONTROLS

Please refer to the diagram of the front panel as well as the diagram of the Remote Control Transmitter RC-600CD (on page 7) to identify the controls and their functions.



Front Panel Diagram

POWER 6

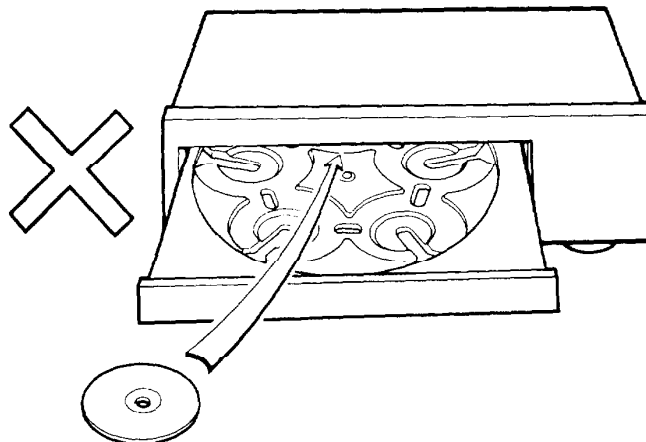
Turns the GCD-600 on and off. When initially powered up the display will show the last volume setting, for further information see Remote Control Volume +/- section 13. The unit will normally power up and begin playing the first track of the first disc unless the player was turned off while playing a different disc, in which case it will begin playing the first track of that disc.

DISC TRAY 7

Capable of holding five discs at one time, it will accept both 5 and 3-inch discs without an adaptor. Use the open/close switch to operate the drawer. DO NOT ATTEMPT TO MANUALLY FORCE THE DRAWER CLOSE OR ROTATE THE TRAY BY HAND AS DAMAGE MAY RESULT. Place each disc with the label side up in numbered tray well, one disc per well. Also, do not attempt to load a disc in the rear-most portion of the drawer as shown below as the player may be damaged. To load a disc in this position, rotate the drawer by using the disc skip control which may be operated when the drawer is open provided a disc is not playing.

CAUTION

DO NOT INSERT DISC WHERE INDICATED BY ARROW AS DAMAGE TO THE INTERNAL MECHANISM MAY RESULT.



REMOTE CONTROL SENSOR 8

Receives the infrared signals from the Remote Control. Aim the Remote Control here when using it.

DISC 1 - DISC 5 9

These controls are used to select the disc that you want to play or program.

REPEAT 10

This button is used to select the desired repeat mode. The various modes are indicated by the status lights. When selected THIS TRACK will repeat the song being played, THIS DISC will repeat all songs on that disc, and ALL DISCS will repeat all discs that are loaded in the player.

DISPLAY PANEL 11

This shows the current disc number, track number, and elapsed playing time. It can also be used to display the playing time remaining, the volume level when selected by the remote control and programming information when applicable.

TRACK SELECTION (1-10) and (+10) 12

These buttons are used to select the track that you want to listen to or program. To select track 7, simply press button 7. To select track 32, press the +10 button three times, then press button 2.

PROGRAM 13

This control is used to select tracks for programming. Please see the section on PROGRAMMING THE GCD-600 for further details.

RANDOM 14

This button is used to start the random function. In this mode, the changer plays tracks in a completely unpredictable order.

To use the random play feature, proceed as follows:

1. Press RANDOM 14. The LED in the button will glow indicating you are in the random mode.
2. Press PLAY 17. On the display panel, you will see the player begin to shuffle all discs and tracks currently loaded in the changer and then begin playing.
3. To stop playing in the random mode, press RANDOM 14 again. To stop playing completely, press STOP 19.

To select specific discs for random play, proceed as follows:

1. Press RANDOM 14.
2. Select the discs that you want to play using the DISC 1 through DISC 5 buttons 9.
3. Press PLAY 17. The changer will then begin playing back only those discs selected in Step 2 above. Again, to stop playing in the random mode, press RANDOM a second time.

To use the random feature for preset tracks, proceed as follows:

1. Program the tracks you want to listen to, see the section on PROGRAMMING THE GCD-600 for details.
2. Press RANDOM 14.
3. Press PLAY 17. You will hear only the preset tracks in random order. To stop play in the random mode, press RANDOM 14 again.

NOTE

WHEN THE RANDOM FUNCTION IS IN THE ON POSITION, THE PROGRAM FUNCTION CANNOT BE INITIATED.

DISC SKIP 15

This button is used to skip over to the next disc. It works with the drawer in the open or closed position and must be used when loading a disc in the rear-most position. This switch will not operate when the drawer is open and a disc playing or if a disc was playing when the drawer was opened.

CAUTION

DO NOT ATTEMPT TO MANUALLY ROTATE THE DISC PLATTER AS DAMAGE MAY RESULT.

POLARITY 16

This control is used to reverse the normal, positive-going output signal of the GCD-600 to a negative or inverted output signal. The LED in the center of the button will glow whenever the negative, inverted signal is selected. Whenever the GCD-600 is turned on, the positive polarity will automatically be selected, even if the reverse polarity had been selected when the unit was turned off. This function has the potential to improve the sound quality on certain discs depending on how they were recorded. Experimentation on your different discs will reveal which if any show this positive effect.

PLAY 17

Press this button to start playing a disc. If you select the track you want to listen to by using one of the TRACK SELECTION buttons 12, operation of this button is not necessary as changer will automatically go into the play mode and the LED in the center of the button will glow. The LED will go off after playing the final track of the final disc.

PAUSE 18

This button is used to temporarily stop the changer from playing a disc. To resume play of the disc at the precise point at which the PAUSE mode was engaged, press the PAUSE button 18 again or press the PLAY button 17.

STOP 19

Press this button to stop play.

OPEN/CLOSE 20

This control is used to open or close the drawer.

CAUTION

DO NOT ATTEMPT TO CLOSE THE DRAWER MANUALLY BY PUSHING IT IN AS DAMAGE TO THE PLAYER MAY RESULT.

FORWARD SEARCH 21

Press this button once to skip to the next track on the disc, repeat this procedure to continue skipping tracks. Press and hold this button down to fast forward within a track to locate a desired portion of a song.

REVERSE SEARCH 22

This button performs the same function as the FORWARD SEARCH control 21 except it works in the reverse direction. For example, pressing this button once will bring the player back to the beginning of the track being played.

PROGRAMMING THE GCD-600

By following the steps below, you can program the tracks that you want to listen to in the order that you select. The maximum number of tracks that can be programmed is 20. Programmed tracks can be chosen from one or more discs.

To program the GCD-600, proceed as follows:

1. If you have not already done so, load the discs in the disc tray.
2. Press the PROGRAM button 13, the LED in the button will glow indicating that you are in the program mode and the GCD-600 is ready to accept program selections. If the changer is already playing a track or in the pause mode, the unit will automatically program that track as the first selection.
3. Select the disc you want to listen to by using the DISC 1 through DISC 5 buttons 9.
4. Press the TRACK SELECTION button 12 that corresponds to the track that you want to program and listen to.
5. Repeat steps 3 and 4 above as required until you have programmed all the tracks that you want to listen to.
6. Press PLAY 17 to start listening to the selections you have programmed. If you now use the FORWARD 21 or REVERSE SEARCH 22 controls, the player will advance or skip backwards through the programmed tracks.

NOTE

YOU CANNOT SELECT THE PROGRAM FUNCTION IF THE RANDOM FUNCTION IS ENGAGED.

In case you forget which tracks have been programmed in the changer's memory, you can browse through the selections that have been made. To do this you will need to use the RC-600CD remote control that was supplied with the GCD 600.

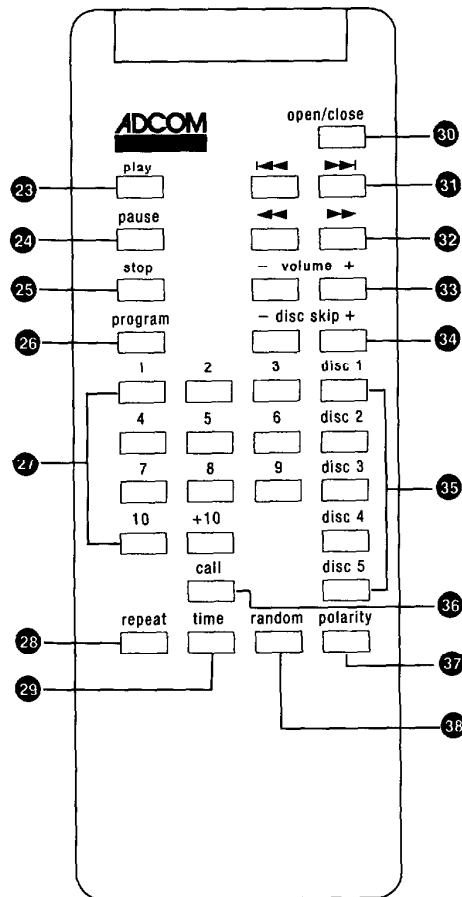
To browse through the memory, proceed as follows:

1. Using the remote control, press the CALL button (36). Each time the button is depressed the display will show the track and disc numbers stored in memory.

When you are finished playing in the program mode and want to switch back to normal play, press the PROGRAM button (26) again or you can press the OPEN/CLOSE button (30). The LED in the center of the PROGRAM button will stop glowing, indicating the changer is no longer in the program mode.

REMOTE CONTROL TRANSMITTER RC-600CD

The controls on the Remote Control Unit duplicate almost all the functions on the front panel of the GCD-600 as well as providing additional controls. Please refer to the diagram below of the hand-held Remote Control Transmitter. Be certain that fresh batteries are installed in the unit before attempting to operate it.



NOTE

THE NORMAL RANGE OF THE REMOTE CONTROL IS 25 FEET OR APPROXIMATELY 8 METERS, AND THE ANGLE OF OPERATION IS 30 DEGREES FROM THE CENTER OF THE REMOTE SENSOR WINDOW LOCATED ON THE FRONT PANEL OF THE CHANGER.

CAUTION

DO NOT PRESS THE BUTTONS ON THE REMOTE CONTROL AND THE CONTROLS ON THE CHANGER AT THE SAME TIME. DOING THIS COULD CAUSE A MALFUNCTION.

PLAY 23

Press this button to start playing a disc.

PAUSE 24

Press this button to temporarily stop the changer from playing a disc. Press the PAUSE button 24 a second time or press PLAY 23 to resume playing.

STOP 25

Press this button to stop playback of a disc.

PROGRAM 26

Press this button to program a selection in the memory. See the section on programming the GCD-600 for further details on this feature.

TRACK SELECTION 27

Press these buttons to select the track that you want to play or program. Use the +10 button when selecting tracks between 11 and 99, see the section on CONTROLLING THE GCD-575 for further details.

REPEAT 28

Press this button repeatedly until the desired mode is selected as indicated by the status LED. When selected, this feature allows you to repeat the track, disc, or all discs as desired.

TIME 29

Press this button once to change the display to show the time remaining on the track being played. Press a second time to display the total time remaining on the disc, a "d" will be displayed signifying disc time. When this button is pressed, the TIME REMAINING LED will glow on the front panel and will stop glowing when the elapsed time is shown.

OPEN/CLOSE 30

Press this button to open or close the drawer. This will erase any tracks programmed in the memory.

AUTOMATIC SEARCH FORWARD/REVERSE 31

Press this button to advance or skip backwards by track through each disc.

MANUAL SEARCH FORWARD/REVERSE 32

Press this button in the appropriate direction to scan through a track at a rapid speed.

VOLUME + / - 33

Press this button to control the level of the variable output. When pressed, the display will show the volume level selected. This level can be adjusted between a maximum of "0" and a minimum of "-50" in 50 steps. Each step will change the output level by approximately 1.5 decibels.

DISC SKIP + / - 34

Press this button to skip over to the next disc in either direction. This control can be used with the drawer in the open position when loading a disc in the rear-most position.

DISC 1 - DISC 5 35

Press the appropriate button to select the disc that you want to play or program.

CALL 36

Press this button to browse through the tracks that have been programmed into the GCD-600's memory. See the section on PROGRAMMING the GCD-600 for further details.

POLARITY 37

Press this button to change the output polarity of the changer. Please refer to the section on CONTROLLING THE GCD-575 for more information about this feature.

RANDOM 38

Press this button to start the random function. Please see the section on CONTROLLING THE GCD-600 for more details on this feature.

CHANGING BATTERIES IN THE RC-600CD

1. Remove the cover on the back of the Remote Control.
2. Insert 2 AA, 1-1/2 Volt (R6P) Batteries. Follow the polarity indications on the inside of the case for correct insertion.
3. Replace the cover on the back of the Remote Control.

NOTE

THE REMOTE CONTROL UNIT WILL NOT FUNCTION PROPERLY UNLESS FRESH BATTERIES OF THE PROPER TYPE ARE INSTALLED. TO PREVENT POSSIBLE DAMAGE CAUSED BY LEAKING BATTERIES, REMOVE THE BATTERIES FROM THE UNIT WHENEVER IT WILL NOT BE USED FOR A LONG PERIOD OF TIME.

CARING FOR YOUR GCD-600

Great care has been taken by ADCOM to assure that your new compact disc player is as flawless in appearance as it is electronically. The front panel is a heavy-gauge, high-grade, anodized aluminum extrusion, bead-blasted for durability. If the front panel, top cover, or sides become dusty or fingerprinted, they can be cleaned using a soft cloth slightly dampened with a very mild detergent solution.

NOTE

DO NOT SPRAY OR USE LIQUIDS OF ANY KIND ON THE SURFACES OF THE GCD-600.

PRECAUTIONS

Be sure to connect the AC power cord only to the correct source of power. The operating voltage and frequency for which the unit was manufactured is printed on the rear panel of the player.

Do not handle a compact disc, operate the GCD-600, or unplug it from its source of power when your hands are wet.

Do not attempt to open the unit or remove its cover. There are no user serviceable parts inside the player and there is the potential of shock and radiation hazards within the unit.

Do not place any objects other than compact discs in or on the CD drawer, or permit objects to fall inside the unit as damage may result.

Do not move or tilt the player when discs are loaded in the drawer as damage to the player or discs may result.

Make sure the player is turned off, and remove the power cord from its AC power source if you plan to leave the system unattended for a long period of time.

Do not use or store the GCD-600 on or near vibrating sources, sources of heat, in extremely cold areas, in high humidity areas, in dusty or smoky environments, or in poorly ventilated areas as the proper operation of the player may be adversely affected.

Try to avoid conditions which will cause condensation to form on the optical system of the player which will impair or prevent proper playback. This includes bringing the player into a warm house when it is cold outside or storage in areas where the temperature will cycle between the extremes. In the event condensation occurs, wait at least 30 minutes before use.

If the GCD-600 is operated while listening to an AM or FM broadcast, there may be noise or interference heard in the radio signal. If this occurs, please switch off the CD player.

If the unit or its connecting cables are placed near a television or other audio component, a humming sound may develop. In the event this happens, please relocate the player or reroute its cables.

IN CASE OF DIFFICULTY

Player fails to play a loaded disc:

1. Check that the disc is loaded properly, label side up.
2. Make sure that disc surface is clean.
3. Check the disc for scratches or other damage. Try another disc.
4. Be certain that there is no condensation on the optical elements of the player as would be the case if brought into a warm house from a cold outside environment. In the event condensation has occurred, wait at least 30 minutes before use.
5. If playing a 3-inch disc, make sure it is seated properly in its depressed, center tray position.
6. Unplug unit for at least thirty seconds, plug unit back in and press play again.

Programming cannot be initiated:

1. Be certain that there is a disc loaded in the drawer.
2. Check that the disc is loaded properly, label side up.
3. Make sure that the disc surface is clean and not scratched or damaged in any way.
4. If using the remote control, make sure the transmitter's signal is not blocked and that it can reach the sensor.
5. Check that the remote control batteries are not weak. Keeping the buttons pressed down continuously will prematurely drain the batteries.

Sound level drops suddenly or clicking noise is heard:

1. Make sure the disc surface is clean and not scratched or warped. Try another disc.
2. Double check the surface the player is seated on to insure vibrations are not reaching the unit and that it sits firmly on the surface. Try placing the player on a different surface if problems persist.
3. When making track selections, searching, or if the player is subjected to a strong impact, the disc's rotational speed changes greatly and may cause a small noise to be emitted from the player. This is not a malfunction and does not indicate a problem.

CD Player does not play through stereo system:

1. Make sure the correct output of player, Fixed, Variable, or Digital, is connected to the proper input of the system.
2. Be certain the selector switch on the preamplifier or amplifier is set to the input which the CD player is plugged into.
3. If using the Variable output, make sure that the level is not in the lowest position.

Player does not operate properly when the remote control is used:

1. Make sure the batteries in the RC-600CD Remote Control are not dead.
2. Be certain that the remote control transmitter is not blocked and that it can reach the sensor window on the front panel of the player.
3. Make sure the remote control unit is within correct operating range of the CD player. This is typically 25 feet or approximately 8 meters and that the angle is within the acceptable limits of the sensor, normally within 30 degrees to the left and right of the sensor window.

SERVICING

ADCOM has a Technical Service Department to answer questions pertinent to the installation and operation of your unit. In the event of difficulty, please contact us for prompt advice. If your problem cannot be resolved through our combined efforts, we may refer you to an authorized repair agency, or authorize return of the unit to the factory. To aid us in directing you to a convenient service station, it would be helpful if you indicate which major city is accessible to your home.

Please address mail inquiries to: ADCOM Service Corporation
 11 Elkins Road
 East Brunswick, NJ 08816
 U.S.A.

Phone or Fax inquiries: Monday through Friday
 9:00AM to 4:00PM Eastern Time
 Phone Number: (908) 390-1130
 Fax Number: (908) 390-9152

Please include a return fax number when inquiring by fax.

When calling or writing about your GCD-600, be sure to note and include the serial number of your unit, as well as the date of purchase and dealer from whom the unit was purchased. In the event that the unit must be returned to the factory for service, you will be instructed as to the proper procedure when you call or write for return authorization. **UNDER NO CIRCUMSTANCES SHOULD YOUR UNIT BE SHIPPED TO THE FACTORY WITHOUT PRIOR AUTHORIZATION, OR PACKED IN OTHER THAN ITS ORIGINAL CARTON AND FILLERS.**

If the original shipping carton and its fillers have been lost, damaged, or discarded, a duplicate carton and packing may be obtained from our Parts Department at a nominal charge.

Always ship PREPAID via UPS or other approved carrier. **DO NOT SHIP VIA PARCEL POST**, since the packing was not designed to withstand rough Parcel Post handling. We are forced to refuse many Parcel Post shipments which arrive in very poor condition. **FREIGHT COLLECT SHIPMENTS CANNOT BE ACCEPTED UNDER ANY CIRCUMSTANCES.**

ADCOM GCD-600 TECHNICAL SPECIFICATIONS

FREQUENCY RESPONSE (+0, -0.5dB):	20Hz - 20kHz
SIGNAL-TO-NOISE RATIO ("A" Weighted):	≥100dB
DYNAMIC RANGE:	≥96dB
THD (20Hz - 20kHz):	0.005%
CHANNEL SEPARATION (1kHz):	≥100dB
WOW AND FLUTTER:	Below Measurable Limits
OUTPUT IMPEDANCE:	
Fixed	100 Ohms
Variable	100 Ohms
Digital	75 Ohms
OUTPUT LEVEL:	
Fixed	2.5 Volts RMS
Variable	0 to 2.5 Volts RMS
Digital	0.5 Volts Peak-to-Peak
FORMAT:	Optical
LASER:	GaAlAs
SAMPLING RATE:	176.4kHz
QUANTIZED BITS:	16-Bit Linear

GENERAL

POWER:	120VAC/50/60 Hz (available in 220V or 240V on special order)
POWER CONSUMPTION:	15 Watts
CHASSIS DIMENSIONS:	17"(430mm) x 3-7/8"(99mm) x 15-1/4"(388mm)
MAXIMUM DIMENSIONS:	17"(430mm) x 4-3/16"(107mm) x 16-1/4"(410mm)
WEIGHT:	15 lbs. (6.8 kg)
WEIGHT (Packed):	18.5 lbs. (8.4 kg)
ACCESSORIES:	Two AA, 1-1/2 Volt (R6P) Batteries Remote Transmitter RC-600CD Low-loss Audio Cable

Specifications subject to change without notice.

ADCOM

11 Elkins Road
East Brunswick, NJ 08816 U.S.A.
Telephone (908) 390-1130
Fax (908) 390-9152

DM2322

Printed in USA